

Cub Scout PACK 16

Chartered to:

Immaculate Heart of Mary Church

High Point, NC

Affiliated with:

Akela District

Old North State Council

Boy Scouts Of America



Parent Handbook

(Revised 8/2008)



Cub Scouts PACK 16

Hi, and welcome to Cub Scouts PACK 16! Here's hoping the information and guidelines presented to you in the next few pages will help you get off to a good start for the coming year. Please keep this PACK HANDBOOK as a handy reference for future information needs regarding PACK policy and uniform information. Thank you.

To begin with, your son is a member of PACK 16, which is in the Akela District, belonging to the Old North State Council, which encompasses High Point, Jamestown and surrounding areas. The PACK is made up of Dens, which is a group of boys usually in the same grade as that of your son. The only exception to this is the Webelos Den, which is made up of 4th graders (Webelos I- Phoenix Patrol) and 5th graders (Webelos II- Scorpion Patrol). Each Den has a specific numeral attached to it. Collectively, we are Cub Scouts, and are members of the National organization, the Boy Scouts of America.

All PACKs have a Chartered Organization that acts as a 'sponsor', and ours is the Immaculate Heart of Mary Church located at Johnson St/Skeet Club Road in High Point, NC.

The PACK is run by the registered BSA Adult Leaders of the PACK who make up the Cubmaster, PACK Committee, Event coordinators, Achievements Director, Den leaders, Assistant Den Leaders, Treasurers and others. All parents of a Cub Scout in PACK 16 are welcomed and encouraged to become a PACK Leader.

Our leader meetings are generally held the last Thursday of each month at 6:00 PM at the Liberty Steakhouse at Oak Hollow Mall or the IHM Church Picnic Shelter and are open to all parents of scouts in PACK 16. Please review emails from the Cubmaster for exact information on this detail.

Please make a note that the latest dated email from the Cubmaster always supercedes any communications from other leaders, our website, or any handout information.

Den meetings are held *weekly* on Mondays at 6:00 PM. During warm weather,(through November 30th) meetings are held at the IHM Church Picnic Shelter located behind the church. During colder weather, (December – March) meetings are usually held inside the church. Keep in mind, that although Den meetings are on the annual itinerary, Each Den Leader always has the option as to where and when they meet (with the oversight of the Cubmaster and Outings Director). Communication with your specific DEN Leader is critical concerning DEN outings and DEN meetings!

Unless previously announced, our PACK meetings are always the *First Monday* of every month at IHM Church at 6:00 PM. Please review the tentative calendar and on our website for specific time and locations.

If Guilford County Schools are closed for inclement weather or National Holiday or teacher workday, we will not meet (Check with your Den Leader). If in doubt or for accurate and timely information, check our website at www.ihmpack16.org

Den Meetings

Lots of Cub Scouting happens in the den. **Please remember that your son's Den Leader must be committed to all the boys in the den and is a *volunteer***, putting forth his or her time and effort to help your boy 'do his best' to earn his badges, participate in the fun, and gain all the positive values that the Cub Scout program offers. Please assist them in the following ways:

- **Please have your son to den meetings on time.** Your den leaders have lots of activities planned and it is important to have the whole group together to begin the evening's fun and projects.
- **Please pick up your son from den meetings on time.** Your den leader has places to go and kids that they have to put to bed, too. Better yet, ask your den leader if they could use an extra pair of hands that night and stay. Not only will your help be appreciated, but also you can see what your son is working on. Tiger Cubs must have an Adult Partner with them at all meetings, trips, etc. Enjoy the time together!
- **Please pay your den dues and ancillary fees promptly.** Your den leader or other parents will be purchasing various items for craft projects, supplies, snacks, etc., and it sure helps to have the money 'on hand'. Also, please make sure your son has his handbook, and anything else he needs for the meeting before leaving the house.
- **Be an active parent.** *Everybody* has some special abilities and 'know how' that can be of great help in matters relating to Cub Scouts. Please make sure you have completed the Parent Talent Survey Sheet and return it to your leader. In addition to the boys learning new skills from *you*, I promise that you will have a good time helping *them*.
- **If your son has a uniform, the PACK meeting is *definitely* the place to wear it.**
Class A - Shirts tucked in - looking sharp! Class B (PACK T-Shirt) is required for PACK and Den Outings (as noted and announced, prior to the event). Just like your son's baseball, soccer or basketball team; if he doesn't have his full uniform, he may not be able to participate!.
- **Flip-flops and open-toed sandals are not allowed** to be worn to scout meetings (Den or Pack) Sandals or "Krocs" are ok as long as they are closed-toed and have an ability to be attached to the feet (ie: heel strap) but whatever they wear should "attach" to their feet in some manner so they won't come off when running or playing etc, which could cause them to fall. We are concerned about safety! Thank you.
- **Attendance requirements for Den meetings and Den outings** in order to be considered an active scout is 50% attendance /month.(ie: 4 den meetings or outings/month, to remain active scout must attend 2 Den meetings or Den outings)

PACK Meetings

Whereas at weekly Den meetings the boys might do activities towards earning rank badges and awards, the **monthly PACK meeting** is *where* these awards are presented. It is an **important** part of the program, as it allows the boys to receive their recognition in front of the group as a whole, inspires the younger scouts to strive towards achieving future ranks, and brings everybody together for the big night! **This is the day when family participation is a must.**

At **PACK meetings** (**ALWAYS held at 6 PM promptly!**), the Cubmaster will 'do his best' to make sure that each Den has a chance to display that special craft they made, song they learned, skit they've rehearsed, or interesting place they visited. In addition, there might be a drawing, advancement ceremony, or other themed event planned for the evening

Please observe the followings additional guidelines in regards to PACK meetings:

- **Please accompany your son to his PACK meeting.** PACK meetings are a *family* event - brothers, sisters, grandparents, but most of all, **YOU!** We require you there not only to help keep order at the meeting (things *can* get a bit rowdy), but also because in Scouting many awards are presented to the parent who then may present it to the Scout. Cub Scouts is a family program.
- **Please arrive to PACK meetings on time.** Plan on arriving at least ten minutes early to receive a ticket for a drawing, confer with your son's Den leader about upcoming things, chat with friends, etc., as the meeting needs to begin on time. If your son is helping out as a member of a flag ceremony, or assisting with other PACK meeting activities, it is imperative to have him there on time. Thank you.
- **At PACK meetings, please attempt to respect the scouts (as well as the leaders) by keeping visiting (talking, etc..) to a minimum.** The cub scouts are there to receive recognition, please refrain from any disruptions... If you bring younger siblings.. **PLEASE** keep them under control during these solemn proceedings.
- **If your son has a uniform, the PACK meeting is *definitely* the place to wear it.**
Class A - Shirts tucked in - looking sharp! If your son is not in his Class "A" uniform, he may be asked to refrain from participating from activities during the Pack Meeting
- **Insure that your Scout keeps a water bottle at all times.** Boys get overheated and need frequent hydration. At most PACK Events, I insure that at least one (if not two) water coolers are available.
- **Flip-flops and open-toed sandals are not allowed** to be worn to scout meetings (Den or Pack) Sandals or "Krocs" are ok as long as they are closed-toed and have an ability to be attached to the feet (ie: heel strap) but whatever they wear should "attach" to their feet in some manner so they won't come off when running or playing etc, which could cause them to fall. We are concerned about safety! Thank you.
- **Attendance requirements for PACK meetings and PACK outings** in order to be considered an active scout is 75 % attendance at PACK meetings (8 out of 11 scheduled) and attending 70 % attendance of PACK Outings (17 out of 24 outings scheduled) to remain active scout must attend 2 Den meetings or Den outings) This is in addition to the Den requirements.
- **Most of all, we hope to make PACK meetings entertaining, enriching, and FUN!!!**

\$\$\$\$\$\$\$\$\$\$ PACK 16 and B.S.A. Dues \$\$\$\$\$\$\$\$\$\$

Throughout the Scout year, your Den leader will be collecting money for various PACK functions and activities. These will be addressed in the monthly handouts that may be handed out at PACK Meetings, on the PACK Website {www.ihmPACK16.org} and also via weekly information given to you at Den meetings. The following is a reminder of what two main fees are required for your son's involvement in the PACK.

B.S.A. Registration \$11.00 If your son is a currently registered scout, this annual fee will be collected in March from every registered Scout and Adult leader for the annual re-chartering of the PACK. This fee includes the \$11.00 yearly membership to B.S.A. The deadline for this is the 15th of March. If your son is a newly joining scout, then the registration is prorated at \$0.90/month. Boy's Life subscriptions are also available prorated at \$1.00/month. These fees are pass-throughs to the BSA and/or Boys Life magazine

PACK 16 Dues \$65.00 This fee goes towards the cost of awards, activities, camping and outings shortfalls and other necessary operating expenses of the Pack that will occur throughout the year. The deadline for this is the [October] PACK meeting. We generally budget for approximately \$ 95.00/scout. (ex: if we have 50 active scouts (\$30.00 X 50 = a shortfall of \$1,500.00)

With only \$65.00 collected in Pack Dues, this leaves an annual shortfall of \$30.00/scout (This is why we need fundraisers periodically throughout the year. If you would like an annual Budget Forecast P & L for the Pack, contact your Den Leader or the Cubmaster.

The PACK maintains a non-profit bank account at SunTrust Bank.

Web Site

Our PACK maintains a website WWW.IHMPACK16.ORG. Please review our website WEEKLY!

Fund Raisers

Throughout the year there will be various fund-raisers. The funds generated may go towards Council/District Camp fees, PACK food, Ceremonies, supplies, and other shortfalls in our operating budget.

As Cub Scouts, we will always try and make sure to emphasize the *fun* in *fund*raising. Thank you.

Please let us know if you can participate in one or more of our fundraising activities. The Fundraising Chairperson will be most pleased!

Cub Scouting and You

When your son earns his Bobcat badge he learns the Law of the PACK. One of these laws states, "The Cub Scout Helps the PACK Go". Throughout the year there are banquets, fund-raisers, Scout shows, parades, derbies, camping trips, PACK Outings, and many other activities and functions. Ambitious as they are, a Cub Scout still needs *your* help in implementing the program and thereby giving *us* the chance to keep our promise in the part of the Law that states "The PACK Helps the Cub Scout Grow". Remember, the PACK is all of us working together... leaders, parents, and Scouts.

Unlike other programs your son might enroll in, Cub Scouting involves the whole family, no matter what size or parental make-up exists in the home. In Tigers, you are your son's Adult Partner. In Wolves and

Bears, you are Akela, the wise leader of the tribe of Webelos, and the final judge of your son's efforts. At the Webelos rank, you are the Activity Badge counselors that could help influence a boy's career direction. Throughout the year you will be asked to assist on different committees, and at different events. Please volunteer freely, and give of yourself when called upon to help. You will find it a rewarding experience, and one in which you and your son will remember that you did together. **Thank you.**

Discipline

PACK 16 will always maintain a "ZERO TOLERANCE" pursuant to BSA Policies, to any sort of actual or perceived abuse of our scouts.

With the noted exception of the "SIGNS UP!" cry, there will be absolutely no voice raising or yelling at or toward any PACK 16 scout. If any parent is witness to any Leader voice-raising, hazing or verbal abuse, please bring it to my attention and that adult leader will be quietly asked to leave the area and possibly resign their volunteer position immediately! There is no excuse for an adult to raise his voice to be heard and/or understood by a child (or adult).

Needless to say one adult harassing or yelling at another adult is ludicrously inappropriate in ANY public setting (regardless of the "adults" involved) and will be dealt with in the harshest legal manner.

If a scout shows a continued level of disrespect or bullying to an adult leader or fellow scout, it will be the Den Leader's responsibility to approach me (the Cubmaster) with the situation in order that I may speak with the scout and his parent to remedy the specific instance.

Within the first 30 days of the new scouting year, each parent should receive from their scout a "Den Rules" listing from their respective Den Leaders. Please contact me with any questions regarding this. Thank You.

Uniforms, Patches, and Accessories

Scouts in uniform are more conscious of their role in Cub Scouting, and feel a sense of pride and belonging when wearing one. A uniform provides a proper place for the display of badges earned and a way for him to 'show the world' that he has been rewarded for his achievements.

In addition, Scouts in uniform create a strong, positive, *visible* image in the community that helps to strengthen the important ties between the public and the Scouting organization.

Finally, a scout that wears his uniform properly (ie: shirt tucked in, if a hat is worn- it **MUST** be facing forward), clean and neat) establishes a unit cohesiveness that is necessary for a boy's growth.

Where to Buy

Uniforms, patches and accessories are available at The Council Scout Shop located on Westover Terrace (off Wendover Ave.) in Greensboro. The staff there are knowledgeable and very willing to assist you.

Please be aware that although there often appear to be great deals on "EBay" and other Internet sites, please check with your PACK leadership before purchasing online.

Shirts and [Shorts / Pants]

The main article of the uniform is the shirt, as it displays the rank of the Scout, and identifies him as belonging to a certain Den, PACK and Council. When purchasing a new uniform, remember that your son is

growing and if, for example, he is now a newly signed up Wolf Cub, get an extra size or two larger, so he can wear it for his Bear year and 1st Webelos year as well.

Although a complete official uniform for your son is strongly encouraged, if cost is an object, PACK 16 does NOT require official scout shorts or trousers. Dark blue pants are acceptable.

Tigers, Wolves, Bears should wear the Blue Shirt. Webelos should wear the Tan/khaki (Boy scout) shirt.

**Note: Blue jeans and other 'unofficial' uniform colored clothing is discouraged. Thank you*

PACK 16 also has extra 'Class B' PACK T-shirts for sale for many of our outdoor activities.

PLEASE NOTE:: SWEAT PANTS AND GYM SHORTS ARE STRONGLY DISCOURAGED WITH THE CLASS 'A' UNIFORM SHIRT. If a scout does not care enough to respect his uniform and appearance, does he really want to be part of our Cub Scout Pack 16?

Patches

In addition to the purchasing of a uniform, there will be many patches that need to be sewn on your son's shirt. Please pay close attention as to *where* on the uniform these need to be placed. (Please refer to uniform insignia placement on the next page).

It is important that when your son receives a badge that is to be a part of his uniform, you affix it to his shirt as soon as possible. He earned it, and he deserves to have it displayed.

A uniform is something that a Scout can help pay for himself by assigning him various chores around the house, or helping out with other home projects. Also, keep in mind that uniforms, Scout accessories, camping supplies, and other 'Scout stuff' make *excellent* birthday and holiday presents for your son.

PACK 16 awards various PACK Outing BEADS and Giant Possum Claws (PACK Campouts). These items should be displayed on the leather thong (provided) for all PACK Meetings. All awards, beads, achievement pins, patches, etc should only be awarded at the PACK meetings

PACK 16 pays for up to 2 Belt Loops/year. Any other belt loops should be addressed on an instance-by-instance basis.

What to Buy

Tiger Cub Adult Partners

- Orange Tiger Cub T-shirt

Tigers, Wolves and Bears

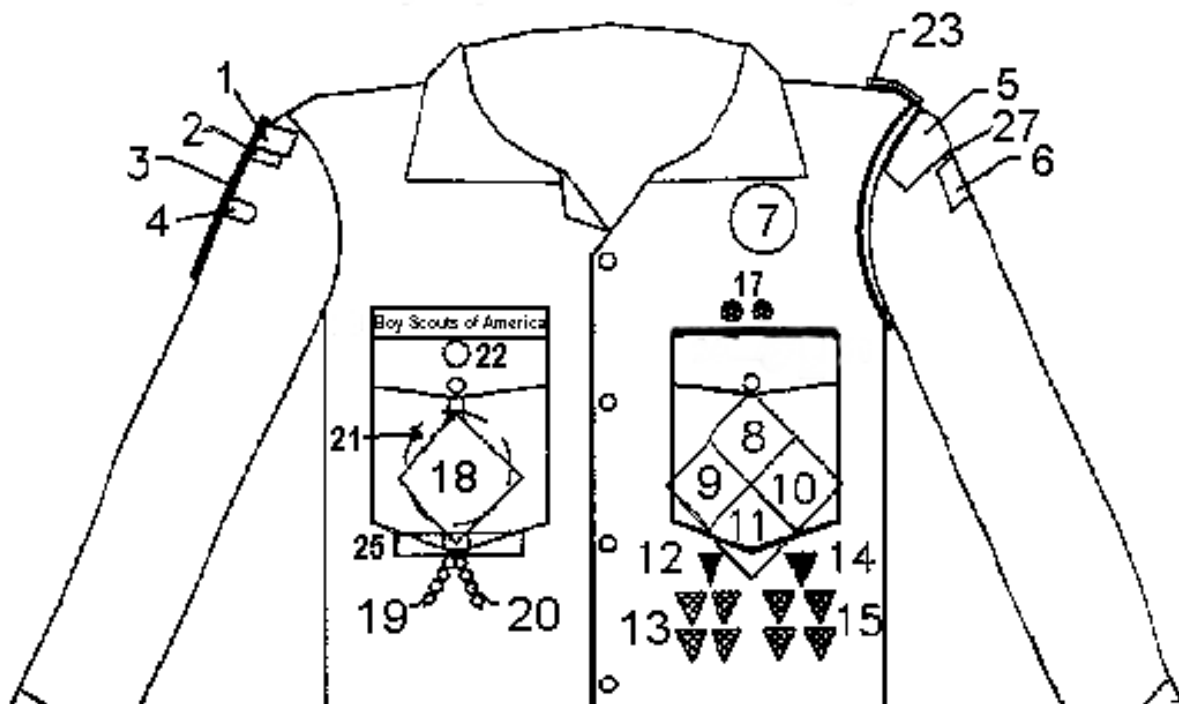
- Tiger, Wolf or Bear Handbook (please purchase handbook as soon as possible)
- Blue Cub Scout Shirt with U.S. flag – [(short sleeve / long sleeve)]
- Old North State Council Patch
- PACK 16 (red and white numerals)
- Your son's Den Number Strip (ask your Den Leader)
- World Crest Emblem (purple patch with the fleur-de-lis symbol)
- Tiger (orange) Wolf (yellow) or Bear (blue) Cub Scout Neckerchief and Cub Scout Slide.
- Official Tiger, Wolf or Bear Hat (Optional)

- Cub Scout Web Belt And Buckle (These are designed to fit the Belt Loop awards that Scouts can earn)
- Official Cub Scout [Shorts / Pants] (Optional)
- Official Tiger (orange stripe) or Cub Scout (yellow stripe) Socks (Optional)

Webelos

- Webelos Handbook (please purchase handbook as soon as possible)
- *Tan Boy Scout Shirt with U.S. Flag - [(short sleeve / long sleeve)]
- Old North State Council Patch
- PACK 16 (red and white numerals)
- Your Den Number Strip (ask your Den Leader)
- World Crest Emblem (purple patch with the fleur-de-lis symbol)
- Checkered Webelos Neckerchief and Webelos Slide
- Blue Shoulder Loops for tan shirt
- Official Webelos Hat (Optional)
- Cub Scout Web Belt and Webelos Buckle (These are designed to fit the Belt Loop awards that Scouts can earn. The Webelos / Boy Scout green belt is wider and Belt Loops must be expanded to fit)
- Webelos Colors (Awarded) Activity Badge pins may be worn on the Webelos Hat or the Webelos Colors
- Official Boy Scout Socks to match shirt worn (Optional)
- Official Boy Scout [Shorts / Pants] (Optional)
- Patrol Patch (Ask your Den Leader)

Uniform Insignia Placement



1. American Flag (comes with uniform)

2. Den Number
3. Webelos Colors (optional)
4. Quality Unit Award (most recent only)
5. Council Emblem
6. PACK Numerals
7. World Crest
8. Bobcat Badge
9. Wolf Badge
10. Bear Badge
11. Tiger Badge (or Webelos badge on blue uniform)
12. Wolf Gold Arrow Point
13. Wolf Silver Arrow Points
14. Bear Gold Arrow Point
15. Bear Silver Arrow Points
16. Tiger Cub Service Star
17. Cub Scout Service Star
18. Immediate Recognition Kit (available for Tigers also)
19. Wolf Beads (Yellow)
20. Bear Beads (Red)
21. Temporary Patch (or Webelos Compass Badge)
22. Summertime PACK Award
23. Denner Cords
24. (Not Shown) Arrow of Light – below left pocket
25. Recruiter Strip
26. (Not Shown). Oval Webelos Badge - Centered on left pocket under flap on tan uniform

A Brief Summary of Scouting and the Cub Scout Program

Scouting has been around a long time. The Boy Scouts of America was founded in 1910, and became federally chartered with the United States in 1916. Cub Scouts came into being in 1930. Millions of boys have worn the uniform, cooked over an open fire at a campsite, earned their Bobcat, raced their Pinewood Derby cars, worked on service projects, and made new friends under the umbrella of Scouting. Flowing underneath all this fun and excitement is a character-building program that encourages making good ethical choices, family strengthening, physical fitness, and citizenship skills in the lives of our boys.

Scouting utilizes an advancement system that requires a boy to ‘do his best’ to fulfill and complete the requirements outlined in his handbook so that he may earn his rank badge. After receiving his badge, these Scouts can go on to earn other awards by completing a series of electives. Please keep in mind that although there are lots of awards and recognitions in Scouting, PACK 16 will strive towards the end that these are earned through significant, meaningful methods that your son will remember for a long time.

At the Tiger, Wolf, and Bear ranks, Cub Scouting centers around monthly themes that have lots of appeal to boys at this age. During den meetings, the boys will be playing games, building craft projects, learning songs, etc. relating to this theme. In doing so, these boys will be improving on different skills as they learn to get along with others, become more resourceful, and participate in new activities and venues.

Den-specific lesson plans should be provided to you (by EMAIL) from Your Den Leaders on a monthly basis. Please let me know if this requirement is not adhered to.

At the Webelos level, in lieu of the monthly theme, the boys are introduced to several diverse Activity Badges and, within the framework of the Webelos den, they work on completing these badges.

The correct name for a scout in 4th and 5th grade is a “Webelos”, whether speaking about one scout or twenty scouts. Webelos stands for WE’ll BE LOYal Scouts.

A schedule of activities progression should be provided to you (by EMAIL) from your Webelos Den Leader on a quarterly basis with updates as needed. Please let me know if this requirement is not adhered to.

Webelos will be doing numerous outings exclusive from the lower dens towards their growth and advancement. (Examples are many boy scout joint activities available. I will be getting a Boy Scout Troop 26 calendar of events out to all Webelos parents shortly)

If you'll notice, there are Webelos 1's (4th graders) and Webelos 2's (5th graders). All Webelos generally work together on a specific activity badges beyond the Webelos PATCH requirements at weekly Den Meetings with adjustments made to allow for lagging scouts. Our Webelos Den Chief is available as a great resource.

PACK and Den outings for Webelos are observed as a singular Webelos Den (NOT as Patrols)

At the first level, after earning their Webelos badge, Webelos 1's and 2's continue to earn additional activity badges and gain new knowledge and skills in these areas. The Webelos 2's also begin focusing on completing other requirements for their Arrow of Light award and should be attending activities with various Boy Scout Troops. (Troop 26 is here at IHM church, Troop 42 – Covenant Methodist, Troop 23 – Community Bible Church)

We as PACK Leaders try to stress the importance of activity progression and achievements in our PACK. As such, at the beginning of the scouting year, an annual lesson plan (Syllabus) will be submitted and adjusted with PACK outings and activities to help insure a steady continuity to all PACK and Den activities.

Your Den leader will keep in good communication with you on Den changes and adjustments on a regular basis so that you are aware of all activities your son should be working on. If there are discrepancies and conflicts, please speak to me immediately!

ALL PACK Outings will start at IHM Church, unless specifically noted on an outing-by-outing basis.

All Den Meetings (Tiger, Wolf, Bear and Webelos) will start at 6:00 PM.

If you son is unable to attend an event, please notify the specific leader as outlined below.

When it is necessary to change an event or venue, as much advance notice as is reasonably possible will be given to insure maximum attendance. A number of substitutions / additions may be submitted for review (ie: Guilford Battlefield re-enactment, popcorn factory visit, Salisbury Zoo, Natural Science Ctr.)

All reasonable and normal attempts will be made to address all issues and concerns, with the premise of maximum attendance on an event-by-event basis.

As a general policy, if Guilford County Schools are closed due to Federal holiday, inclement weather, teacher workdays, our scouting event will be cancelled/rescheduled..

If there are activity fees involved in an event or outing, Kim Clewis or Mellissa Palmer (our Pack Treasurers) will be collecting the fee prior to the event. They will also collect all registrations from the parents and PACK dues.

PACK 16 follows a 'Scout year' of August to June and upon nearing the end of the school term, all the boys 'cross over' into the next rank at our annual Advancement Campout. During the summer, Den meeting work on achievements may be suspended, as the PACK will meet monthly at fun outings such as a bowling

Derby, fishing derby, kite derby, baseball game, Emerald Point Swim Event, etc. that may go toward the boys earning their Summertime Award pin.

There are many, many events offered in Scouting. In addition to the events at Den/PACK meetings, PACK 16 will have family camping trips, Pinewood Derby races, a Blue and Gold dinner, USS Yorktown trip and much more that's just for us in the PACK 16.

We also have a Den-specific parents meetings at the midpoint of the year (January). Please try to attend these very important meetings.

We are always looking for parents to be more involved with the PACK leadership.

In addition, there are District events, which unites us with hundreds of Scouts, and Council events that can have thousands of Scouts in attendance. Your participation at these functions will definitely add to your son's Scouting experience.

We will have a "Suggestion Box" on our website. Unlike in the past, where you would have to approach me personally concerning a burgeoning situation, you will be able to send me a note anonymously if you would like.

Thank you for taking the time to go over this handbook with your Cub Scout!

With your help, this will be an exciting, rewarding experience for you, your son, your family, and your PACK.

For the 2008-2009 Scouting year, we have the following leaders:

UNIT Commissioner-	Mickey Boylan	(454-4358)
CUBMASTER	Geno Iorio	(549-2993)
PACK Outings Director	Kevin Danko	(301-4571)
TIGER Den Leader	Mike Schiltz	(847-9009)
WOLF Den Leader	Bill Burns	(906-4442)
ASST WOLF Den Leader	Scott Wilson	(978-6362)
BEAR Den Leader	Andrew Lyons	(668-9129)
ASST BEAR Den Leader	Neil Martone	(882-9811)
WEBELOS I Den Leader	Bob Vroom	(301-4687)
ASST WEBELOS I Den Leader	Chris Woefel	
SENIOR WEBELOS Den Leader	Mike Secor	(456-8795)
ASST WEBELOS II Den Leader	Chris Gelderbloom	(327-3513)
FUNDRAISING	Kim Clewis	(442-3269)
PACK Treasurer	Kim Clewis	(442-3269)
PACK Webmaster	Mike Schiltz	(847-9009)
Scout Supplies	Scout Shop	(235-0977)
PACK Committee	Scott Wilson	(978-6362)
	Kim Clewis	(442-3269)
	Mellissa Palmer	(882-0881)
	Diane Hurley	

Thanks for all that you do as parents for the Scouts of PACK 16!



Geno Iorio

Cubmaster / Akela District / PACK 16 geno@profitsolutions.org 336-549-2993